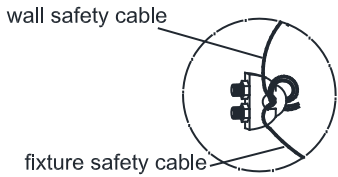
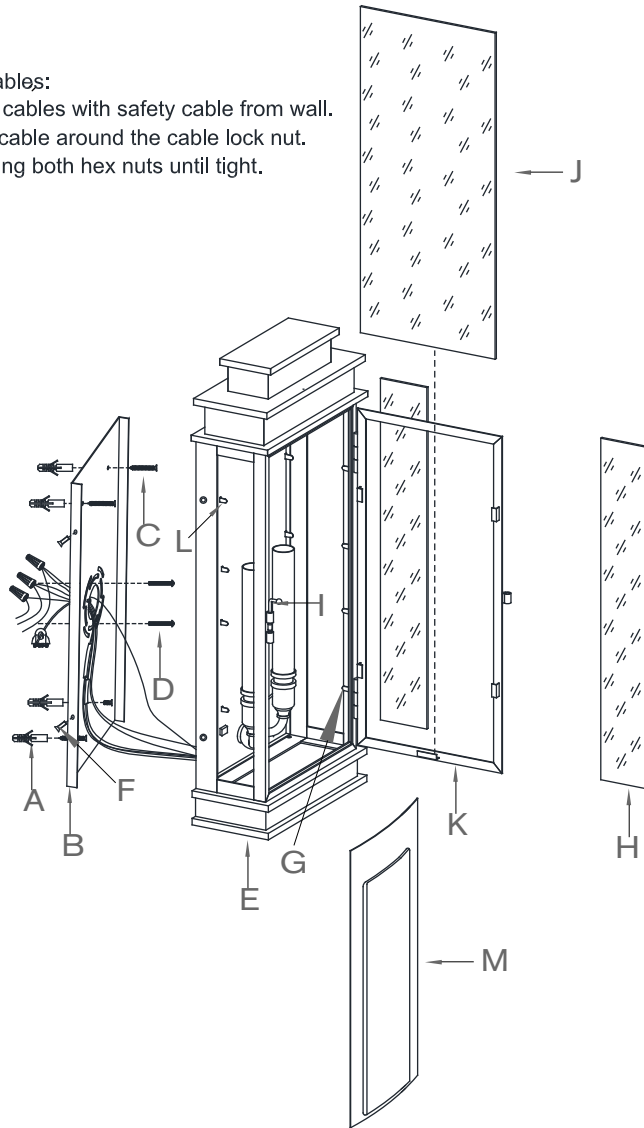


## ASSEMBLY INSTRUCTIONS



To assemble safety cables:

1. Join fixture safety cables with safety cable from wall.
2. Wrap both safety cable around the cable lock nut.
3. Secure by tightening both hex nuts until tight.



## Linear Large Wall Lantern

Item # CHD 2911

**WE RECOMMEND INSTALLATION OF THIS LIGHTING FIXTURE BE DONE BY A LICENSED ELECTRICIAN.**

**WARNING \*\*\* SWITCH OFF THE MAIN ELECTRICAL SUPPLY FROM THE MAIN FUSE BOX/CIRCUIT BREAKER BEFORE INSTALLATION.**

**INSPECT ITEM CAREFULLY BEFORE ATTEMPTING TO INSTALL. IF THERE IS ANY DAMAGE OR OBVIOUS DEFECT, DO NOT INSTALL.**

**ITEM MAY NOT BE RETURNED ONCE IT HAS BEEN INSTALLED.**

1. Carefully remove all parts from the carton.
2. Remove mounting plate (B) from lantern box (E) by removing base screws (F) in counter-clockwise direction.
3. Position mounting plate (B) on the wall outlet box. Mark center points for four mounting holes with a pencil on the wall. Remove mounting plate (B).
4. Drill small holes on each point location on the wall, each hole should be large enough to accommodate to the plastic anchor (A). Push plastic anchors (A) into the holes in the wall.
5. Affix mounting plate (B) to wall outlet box, aligning holes and secure by inserting mounting screws (D) to the holes of outlet box and screws (C) to the plastic anchors (A) in the wall.
6. Gently pull the wires from the wall outlet and allow the wires to hang. Thread the wires through the center hole in mounting plate (B).
7. Attach fixture steel safety cable to structural member in the wall. (Refer to the illustration)
8. Attach ground (green) wire to ground wire from wall outlet box (usually green or copper in color), fasten together with a plastic wire connector. Tightly wrap the wire connector with electrical tape, so the end of the connector is sealed. IT IS IMPERATIVE THAT THE OUTLET BOX IN YOUR HOME BE PROPERLY GROUNDED.
9. Connect neutral (white) fixture wire coming from fixture base to neutral (usually white) outlet wire. Fasten both wires together with a plastic wire connector and tightly wrap the wire connector with electrical tape.
10. Repeat the procedure with the hot (black) wires. Always make sure that no wire strands are left outside the connectors. DO NOT REVERSE THE HOT AND NEUTRAL CONNECTIONS OTHERWISE SAFETY WILL BE COMPROMISED.
11. Attach lantern box (E) to mounting plate (B) and secure by inserting base screws (F).
12. Attach reflector (M) to lantern box (E) and secure it by bending the metal tabs (L) downwards to the reflector (M).
13. Open the door (K) by loosen lock pin (I), insert glass panel (H) & (J) to the frame of lantern box (E), make sure the metal tabs (G) are flipped up to the lantern box and secure the glass panels (J) (H) by bending back the metal tabs (G) downwards.
14. Insert light bulbs into sockets.
15. Close the door (K) with the lock pin (I).
16. INSTRUCTIONS FOR MOUNTING FIXTURE OUTDOORS AND/OR IN WET LOCATION:
  - a. Mounting surface should be clean, dry, flat and 1/4" larger than canopy/fixture base on all sides. Any gaps between the mounting surface and fixture base exceeding 3/16" should be corrected as required.
  - b. With silicone (ex. GE-108) caulking compound, caulk completely around where back of canopy/fixture base meets the wall surface to prevent water from seeping into outlet box.
 TO AVOID WATER ENTERING THE FIXTURE BASE FROM THE SIDE OF FIXTURE, THIS FIXTURE MUST BE MOUNTED ABOVE 1.2M (4 FT) FROM GROUND.

\*\*\* Clean with a dry, soft cloth only. Use no harsh abrasives or chemical agents.