

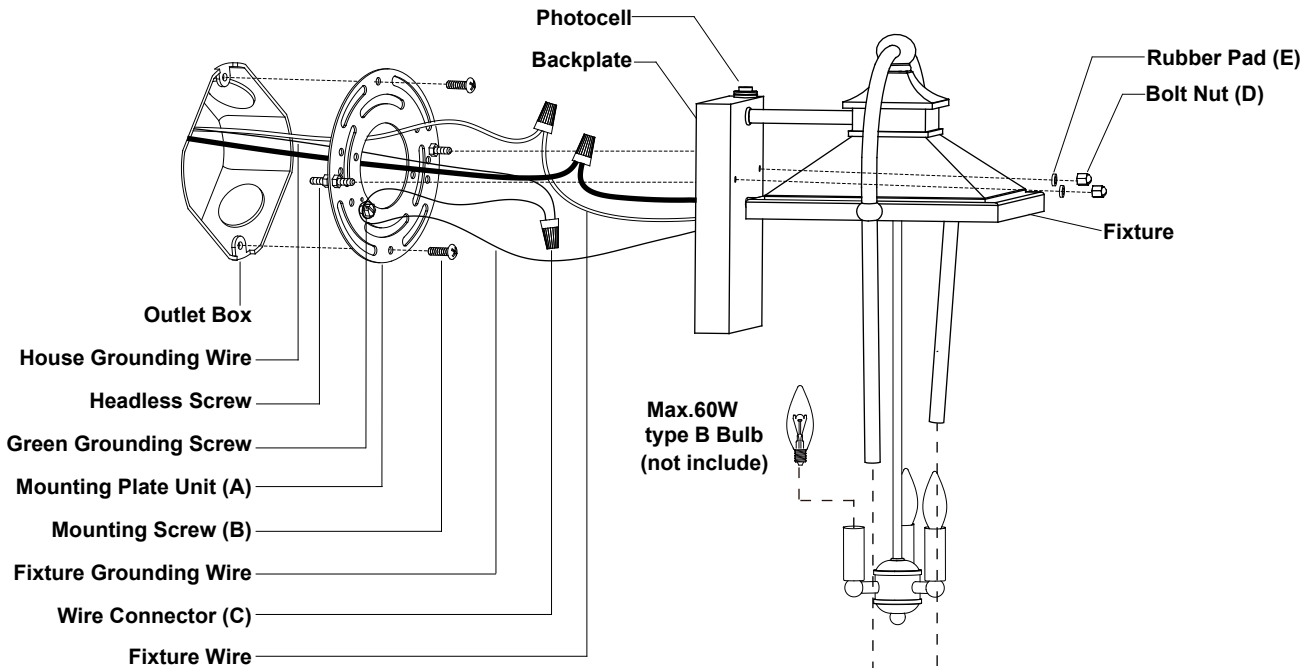
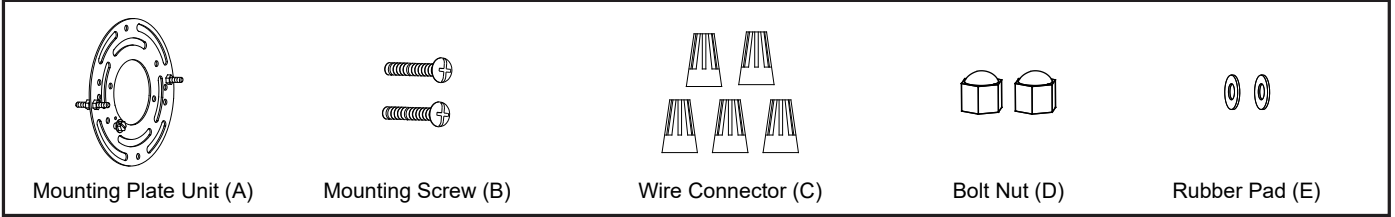
# ASSEMBLY AND INSTALLATION INSTRUCTIONS

T0539

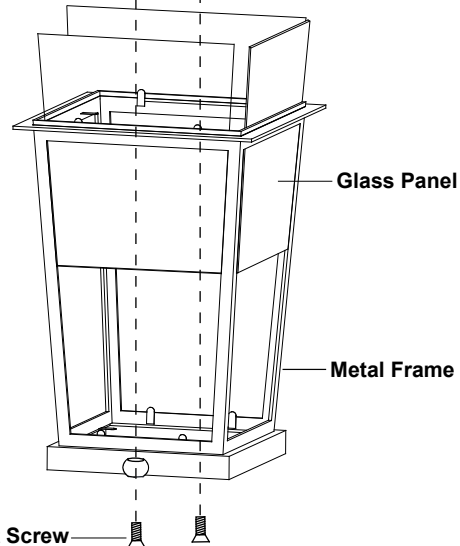
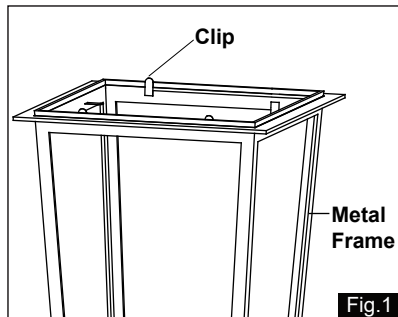
**WARNING:** Turn off the main power at circuit breaker before installing fixture.  
**AVERTISSEMENT:** Coupez la source d'alimentation principale au panneau central de disjoncteurs avant d'installer le luminaire.

**NOTE:** 1. Before installing, consult local electrical codes for wiring and grounding requirements.  
 2. READ AND SAVE THESE INSTRUCTIONS.

## Hardware Package (included):



Max.60W  
 type B Bulb  
 (not include)



**IMPORTANT:**

*The sensor has an excellent photocell function to enable the light to turn on at dusk and off at dawn automatically.*

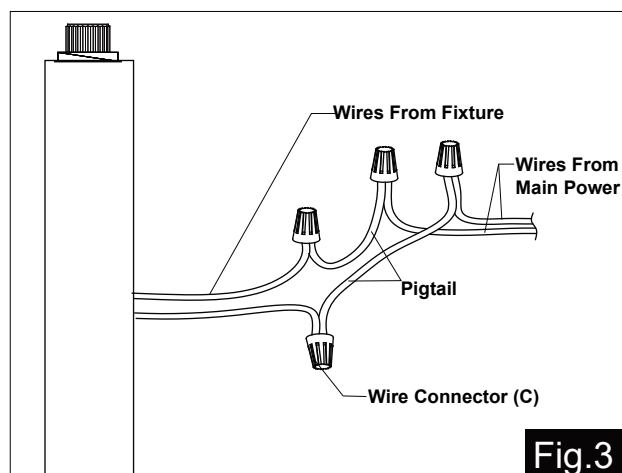
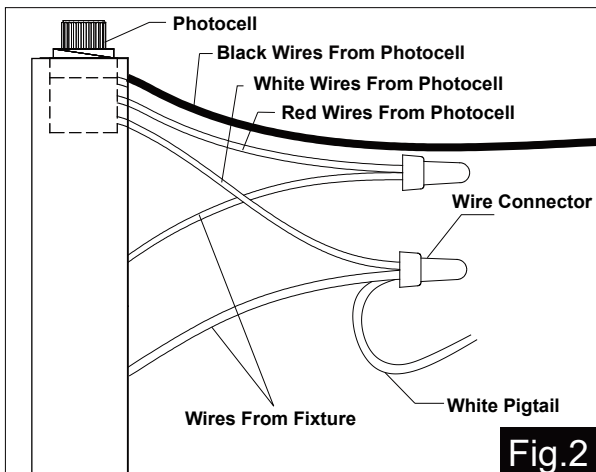
## Installation Steps

Turn off the power at fuse or circuit box.

1. Remove the two bolt nuts (D), the two rubber pads (E) and the mounting plate unit (A) from the backplate.
2. Attach the mounting plate unit (A) to the outlet box by using two mounting screws (B).  
**Note: Make sure that two set hole are lined up horizontally to make the fixture level.**
3. Unscrew the two set screws and remove metal frame from the fixture. Take a glass panel and gently slide it into the metal frame in place, secure it by pressing two clips on top side of the metal frame and two clips on the bottom of the metal frame. Repeat with the other glass panels. (See Fig.1)
4. Pull out the source wires from the outlet box. Make wire connections using wire connectors (C) as follows:
  - Connect the hot wire (usually black insulation) from the fixture to the black wire from the power source.
  - Connect the neutral wire (usually white insulation) from the fixture to the white wire from the power source.
  - Attach the fixture grounding wire (usually green insulation or bare wire) to the mounting plate unit (A) with the green grounding screw, then connect it to the house grounding wire with the wire connector (C).Carefully put the wires back into the outlet box.
5. Install bulbs (not included). See relamping label at socket area or packaging for maximum wattage allowed.
6. Attach the fixture to the mounting plate unit (A) by inserting headless screws into holes on backplate, then secure it with two rubber pads (E) and two bolt nuts (D).  
**NOTE: With silicone caulking compound, caulk complete around the backplate meets with the wall surface to prevent water from seeping into the outlet box.**
7. Attach the metal frame onto the fixture and tighten it with two set screws.

Turn on the power at fuse or circuit box.

## Operation the Unit Without Photocell

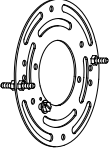

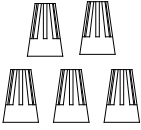


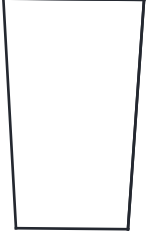


1. Turn off the power at the fuse or circuit box before starting installation.
2. Loosen the wire connector connected with the wires from photocell. (See Fig.2)  
**Note: Do not move the photocell to prevent water from seeping into the outlet box.**
3. Take a white pigtail and black pigtail and make wire connections using wire connector (C): (See Fig.3)
  - a. The black wire from the fixture to one end of the black pigtail.
  - b. The white wire from the fixture to one end of the white pigtail.
  - c. The other end of the black pigtail to the black wire from the power source.
  - d. The other end of the white pigtail to the white wire from the power source.Put all wires back into the back plate of the fixture.

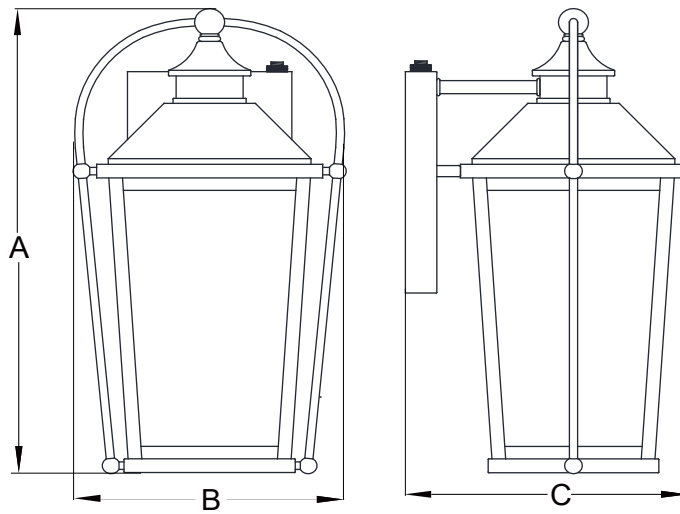
Turn on the power at fuse or circuit box.

The following parts are available for re-order if damaged or missing.

**Spare Parts List:**

					
Mounting Plate Unit (A)	Mounting Screw (B)	Wire Connector (C)	Bolt Nut (D)	Rubber Pad (E)	Glass Panel X3 10159CS (1SET)

↑ Assembly Kit  
6222MM (1 SET)



**A: 17-1/4"**

**B: 9-1/2"**

**C: 9-1/2"**